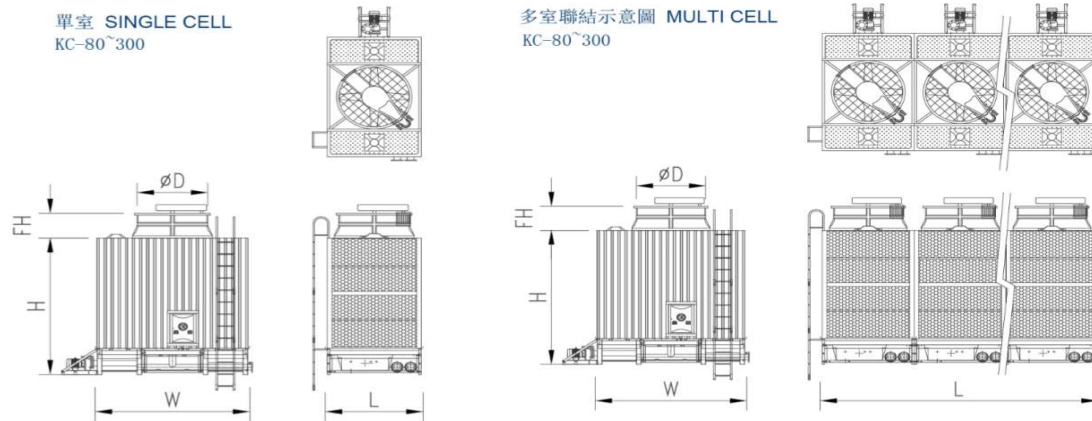


## KC Dimension & Specification

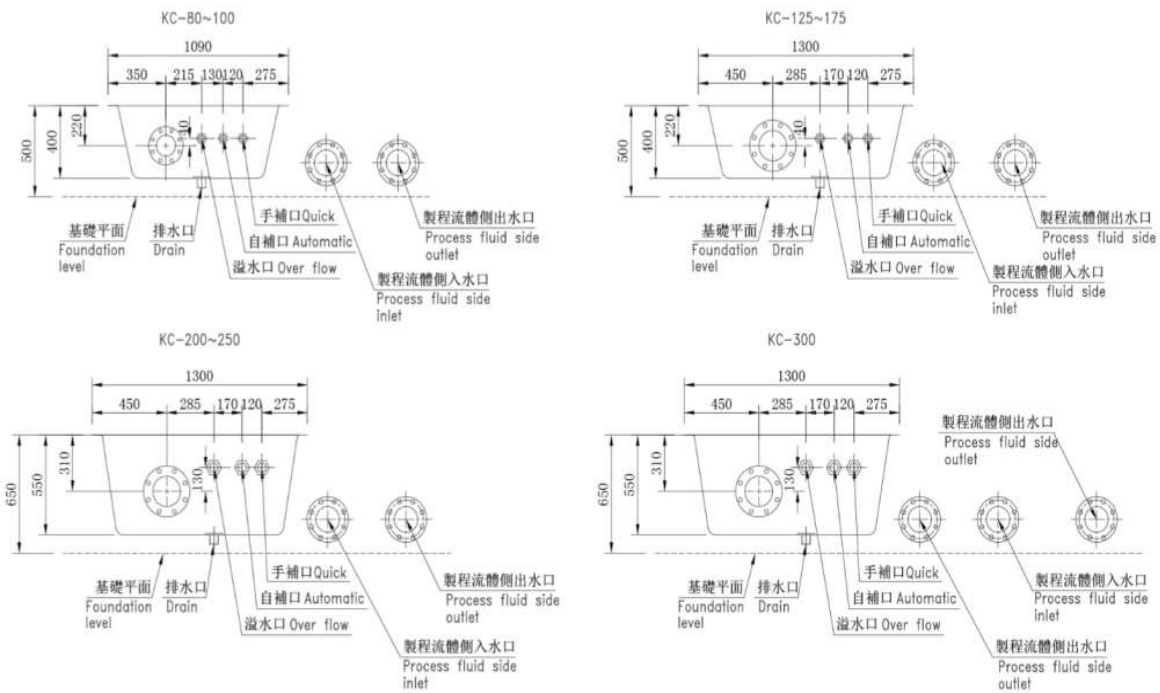


型號 Model	外型尺寸 Dimension (mm)				水量 Flow rate 37-32-27 m <sup>3</sup> /h	電動機	風車	揚程	自重	運轉重
						Fan Motor	Fan	Head	DryWeight	Operating Weight
KC	L	W	H	FH	m <sup>3</sup> /h	kW	Dia. φm/m	m	kg	kg
80	1780	3280	2976	620	61	3.7	1500	7.5	1600	3108
100	2080	3280	2976	620	77	5.5	1500	6	1744	3689
125	2380	3580	2976	770	97	5.5	1800	6.5	2200	4870
150	2380	3580	3613	770	118	7.5	1800	6.2	2370	5184
175	2380	3880	3613	770	135	7.5	2100	6.5	2700	6060
200	2680	4180	3763	820	155	7.5	2400	8.4	3300	7200
225	2680	4180	4446	820	173	11.0	2400	9.2	3550	8100
250	2680	4180	4446	820	194	11.0	2400	8.4	3700	8300
300	3580	4820	4446	820	235	15.0	3000	5.5	4500	10200

Remarks:

- Nominal flow rate is based on inlet temperature at 37°C, Outlet temperature at 32°C, Wet Bulb temperature at 27°C.
- For single cell, the length (L) needs to add 10mm and the width (W) needs to add 125mm if the material of basin, sump, side panel, access door and fan stack is HDGS or stainless steel.

# 配管規格 Specification of Pipe Connection



Tower Model	Pipe connection					
	製程流體側 入水口 Process fluid side inlet	製程流體側 出水口 Process fluid side outlet	排水口 Drain	溢水口 Over flow	自補口 Automatic	手補口 Quick
KC-80	4"	4"	2"	2"	1"	1"
KC-100	5"	5"	2"	2"	1"	1"
KC-125	5"	5"	2"	2"	1 1/4"	1 1/4"
KC-150	6"	6"	2"	2"	1 1/4"	1 1/4"
KC-175	6"	6"	2"	2"	1 1/4"	1 1/4"
KC-200	6"	6"	2"	2"	1 1/4"	1 1/4"
KC-225	8"	8"	2"	2"	1 1/4"	1 1/4"
KC-250	8"	8"	2"	2"	1 1/4"	1 1/4"
KC-300	8"	8"	2"	2"	1 1/4"	1 1/4"